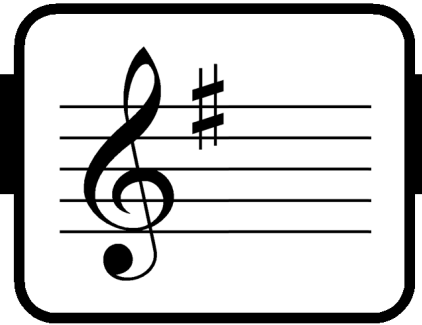
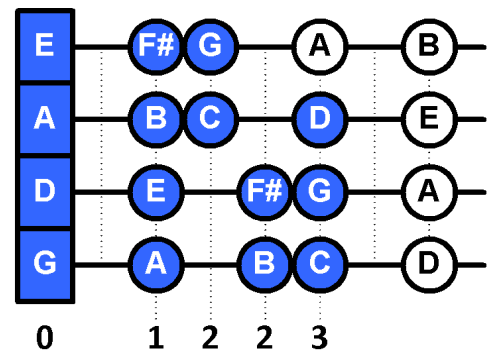


G Major (Two Octaves)

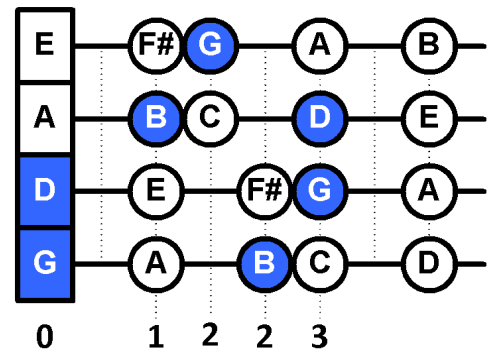
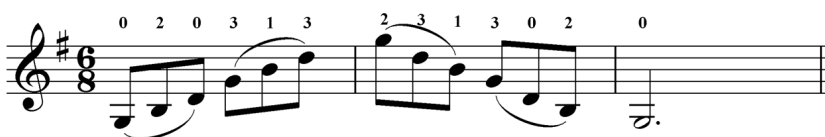


Remember : Keep the second finger high on the G and the D strings, and low on the A and E strings.

Scale



Arpeggio



The G Major Scale is made up of the notes G, A, B, C, D, E , and F#.

If you've already learnt G Major (One Octave), you'll already have learnt half of this scale and arpeggio. Listen carefully to the tuning for the notes played by the second finger particularly.